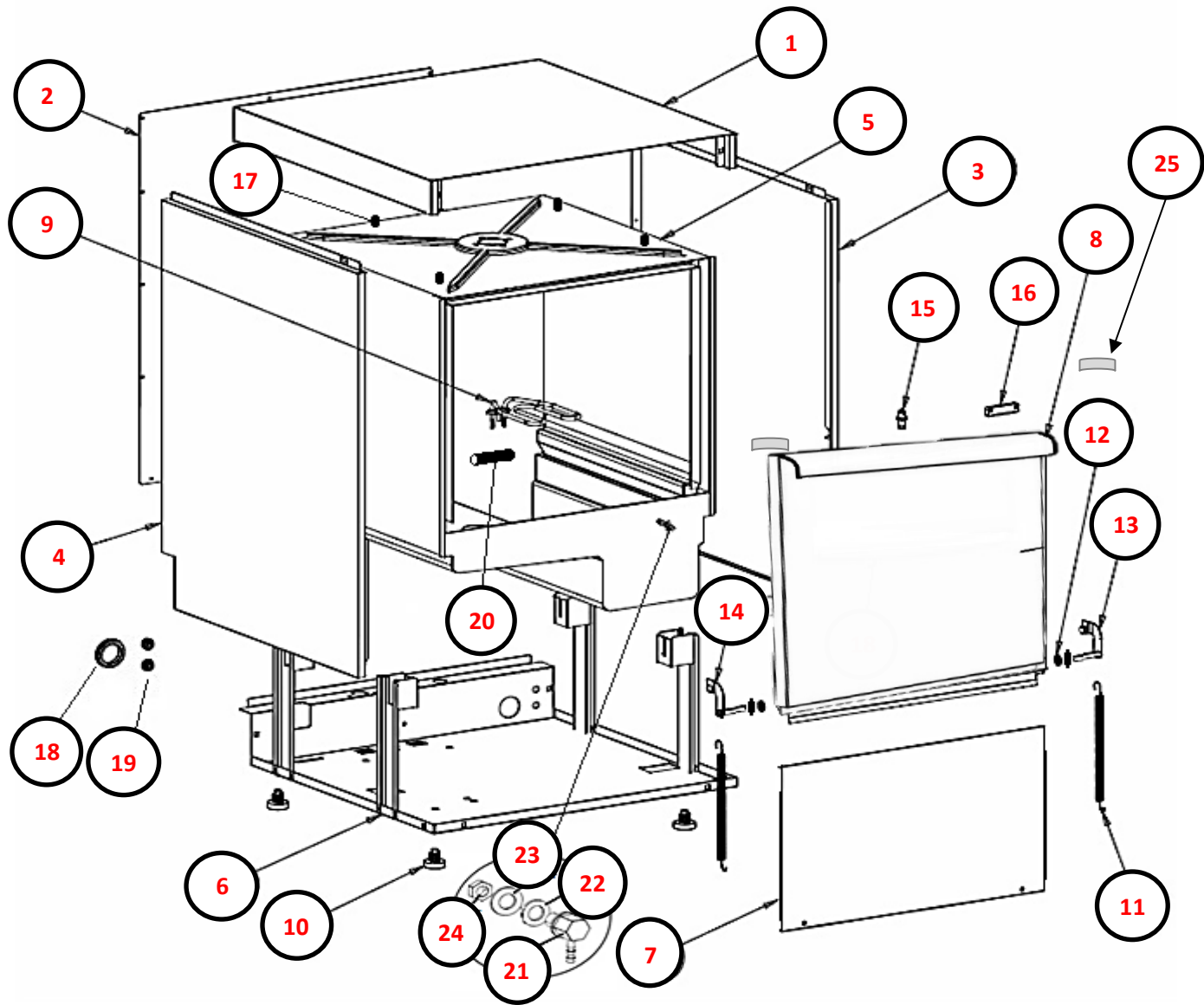


# GGW1050OS

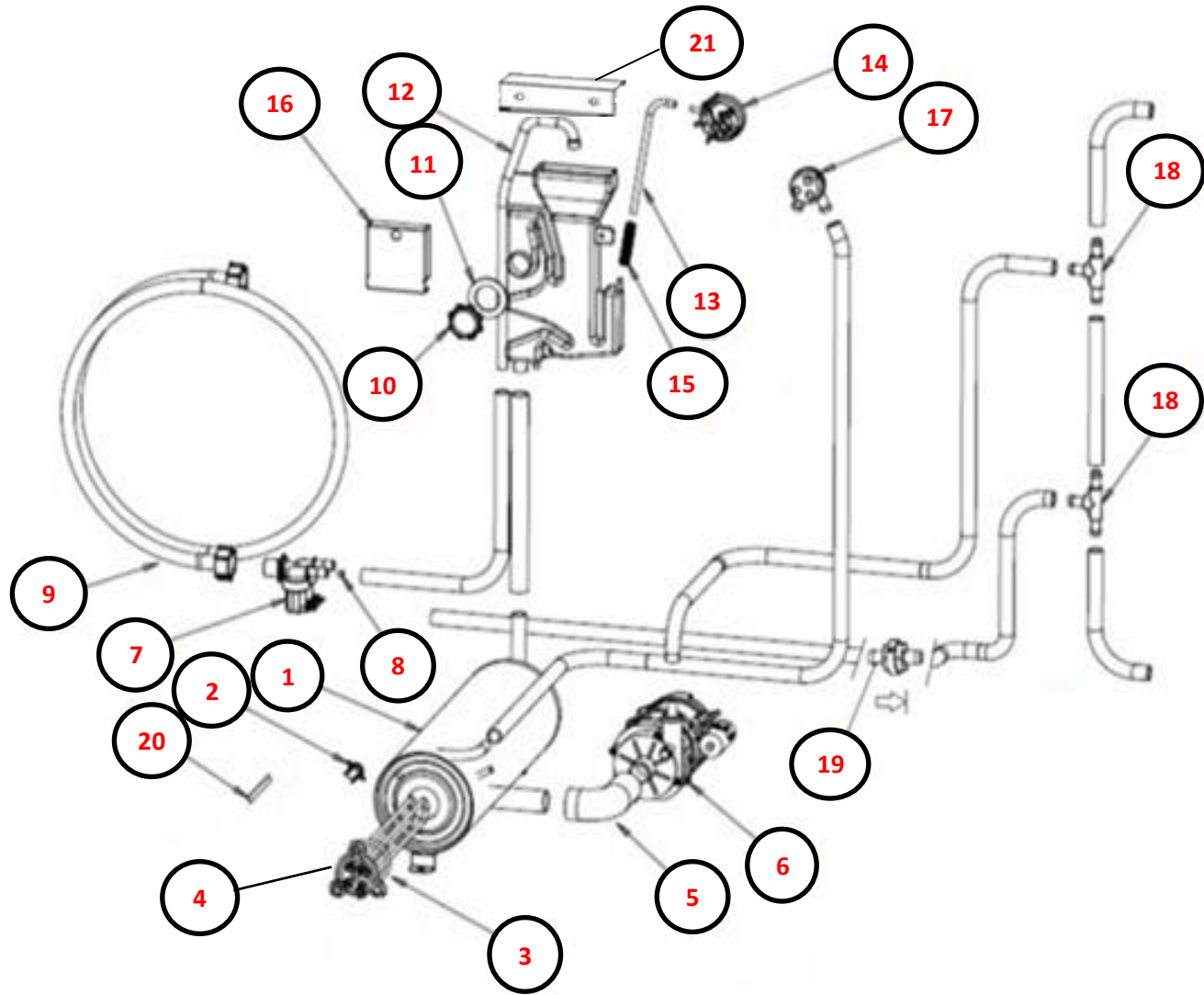
POS	CODE	DESCRIPTION	DESCRIPTION	QTA
1	P1	PANNELLERIA	FRAME	1
2	P2	RISCIACQUO	RINSE	1
3	P3 (2)	LAVAGGIO / POMPA SCARICO	WASH / DRAIN PUMP	1
4	P4	GIRANTI	ARMS	1
5	P5	CABLAGGIO	WIRING	1
6	P6	DOSATORE	CHEMICAL PUMP	1
7	O3 (2)	ADDOLCITORE	SOFTENER	1
8	O4 (2)	OSMOSI	OSMOSIS	1



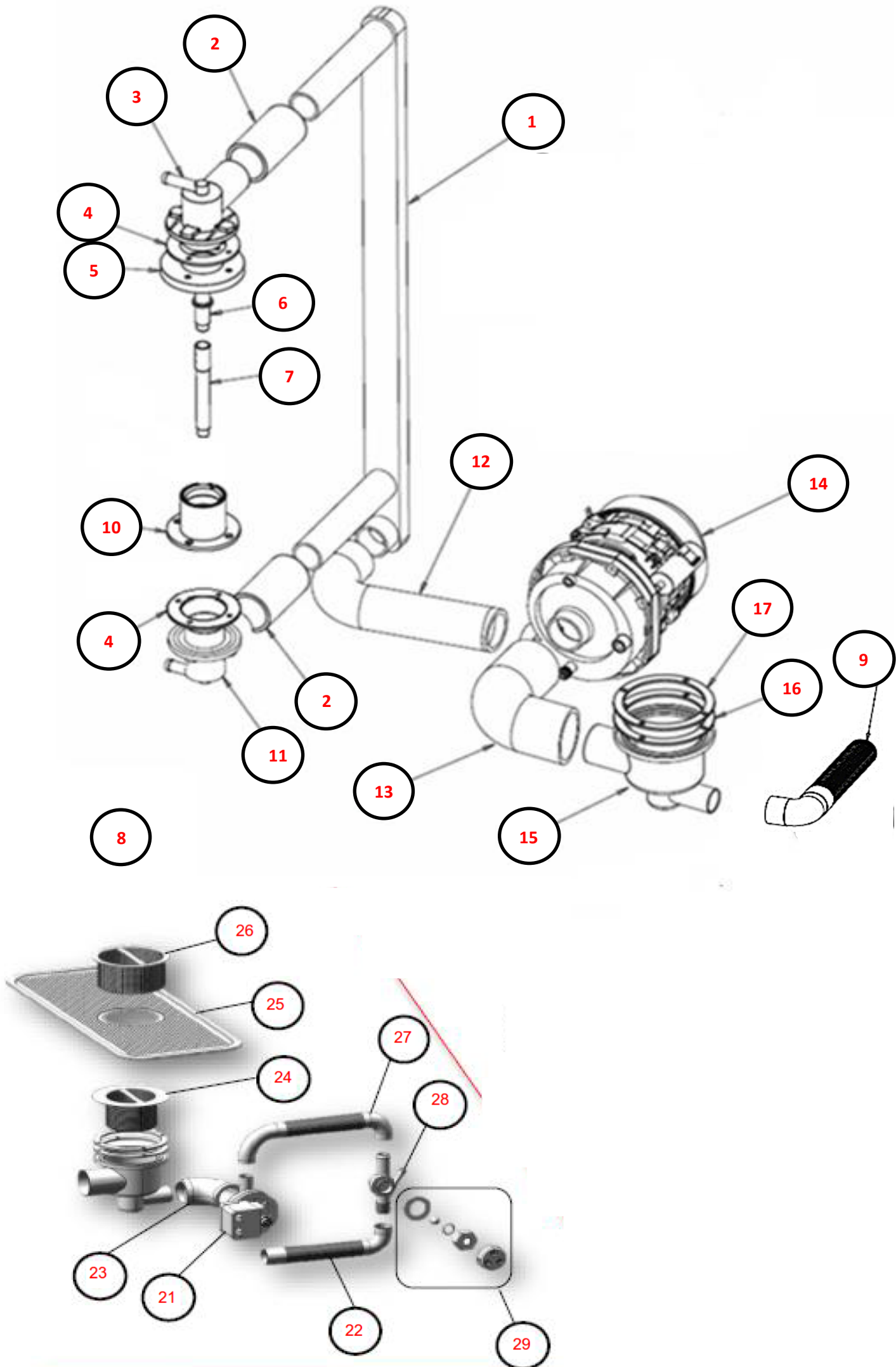
POS	CODE	DESCRIZIONE	DESCRIPTION	NR
1	902138	PANN. SUP. N50-N90 IMPERIAL	UPPER PANEL N50-N90 IMPERIAL	1
2	902141	PANN. POST. N50S IMPERIAL	BACK PANEL N50S IMPERIAL	1
3	902139	PANN. LAT. N50S DX INCL. IMPERIAL	INCLINED RH-SIDE PANEL N50S IMPERIAL	1
4	902140	PANN. LAT. N50S SX INCL. IMPERIAL	INCLINED LH-SIDE PANEL N50S IMPERIAL	1
5	900904	VASCA N50S	TANK N50S	1
6	904936	BASAMENTO N50 IMPERIAL	BASEMENT N50 IMPERIAL	1
7	901336	PANN. INF. N50S IMPERIAL	LOWER PANEL N50S IMPERIAL	1
8	900903	PORTA N50S CON M.I.	DOOR WITH STAINLESS-STEEL HANDLE N50S	1
9	905750	RESIST. VASCA 2KW 230V N50 NEW	TANK HEATING ELEMENT 2KW 230V N50 NEW	1
10	905000	PIEDINO LAVAGGIO PVC NEW	FEET, WASH PVC NEW	4
11	908014	MOLLA PORTA N45/N50/N90 2017	SPRING DOOR N45/N50/N90 2017	2
12	908146	GUARN. CERNIERA N45/N50/N90 VULKOLLAN	HINGE GASKET N45/N50/N90 VULKOLLAN	4
13	901247	CERNIERA PORTA N45-N50 SX CON 2 ROTELLE	LH DOOR HINGE N45-N50 + 2 WHEELS	1
14	901244	CERNIERA PORTA N45-N50 DX CON 2 ROTELLE	RH DOOR HINGE N45-N50 + 2 WHEELS	1
15	906121	SCROCCHETTO CON ROTELLA + DADO	LATCH WITH WHEEL + NUT	1
16	903651	MAGNETE + CUSTODIA FRONTALI	MAGNET + CONTAINER DISHWASHER	1
17	902132	GHIERA FISSAGGIO PANNELLO SUPERIORE	FASTENING FERRULE, UPPER PANEL	2
18	904721	PASSACAVO TUBO SCARICO LAVAGGIO	CABLE BUSHING DRAIN HOSE	1
19	904723	PASSACAVO TUBO BRILL./DET.	CABLE BUSHING RINSE PRODUCT/DETERGENT HOSE	2
20	904958	PROT. RESISTENZA VASCA IN SILICONE	TANK-HEATING ELEMENT PROTECTION SILICONE	2
21	906708	RACC. INOX ENTR. DETERSIVO VASCA ANT.	STAINLESS-STEEL FRONT INLET CONNECTION FOR DETERGENT IN TANK	1
22	903253	GUARN. RACC. DOS/SFIATO PS	GASKET DOSING UNIT/AIR VENT JUNCTION	2
23	906010	RONDELLA Ø5 P.	WASHER Ø5 P.	1
24	902030	DADO ATB 5	NUT ATB 5	1
25	952234	PIASTRINA RINFORZO PORTA	DOOR REINFORCEMENT PLATE	2



POS	CODE	DESCRIZIONE	DESCRIPTION	NR
1	900447	BOILER HY-NRG 3.6LT. 2015	BOILER HY-NRG 3.6LT. 2015	1
2	907297	TERMOSTATO SICUR. 110° PASTIGLIA	SAFETY THERMOSTAT 110° PADDLE	1
3	907981	OR RES. 2.6/4.5/6/8 KW	OR HEATING ELEMENT 2.6/4.5/6/8 KW	1
4	905521	RESIST. BOILER 3KW 230V +OR	BOILER HEATING ELEMENT 3KW 230V +OR	1
5	903713	MANICOTTO ASP. POMPA RISCIAQUO - PS 020	ASPIRATION SLEEVE RINSE PUMP - PS 020	1
6	902241	POMPA RISCIAQUO CRC-R DX	RINSE PUMP CRC-R RH	1
7	902401	ELETTROV. 2 VIE Ø10 CON RIDUTTORE ROSSO	2-WAYS SOLENOID VALVE Ø10 WITH RED REDUCER	1
8	905484	GRUPPO REGOLATORE 3.75 LT. GRIGIO	GREY REGULATOR GROUP 3.75 LT	1
9	907348	TUBO CARICO 90° 1500MM S 800 HW	WATER LOAD HOSE 90° 1500MM S 800 HW	1
10	902091	GHIERA AIR GAP	FERRULE, AIR GAP	1
11	903392	GUARN. AIR GAP	AIR GAP GASKET	1
12	907313	AIR GAP	AIR GAP	1
13	907279	TUBO SILICONE 4X7	SILICONE HOSE 4X7	1
14	905283	PRESSOSTATO 65/10	PRESSURE SWITCH 65/10	1
15	904131	MOLLA PROTEZIONE TUBETTO	SPRING PROTECTING TUBE	1
16	900086	COPERTURA INTERNA AIR GAP	INSIDE COVERING AIR GAP	1
17	TR2433	VALVOLA ANTIRITORNO	NON-RETURN VALVE	1
18	905382	RACC. 3 VIE RISCIAQUO	THREE-WAY CONNECTION RINSE	2
19	NA	NON DISPONIBILE	NOT AVAILABLE	NA
20	904075	LAMELLA OTTONE	BRASS PLATE	1
21	900537	PARASPRUZZI BREAK TANK SERIE E	SPLASHBACKS BREAK TANK MODEL E	1

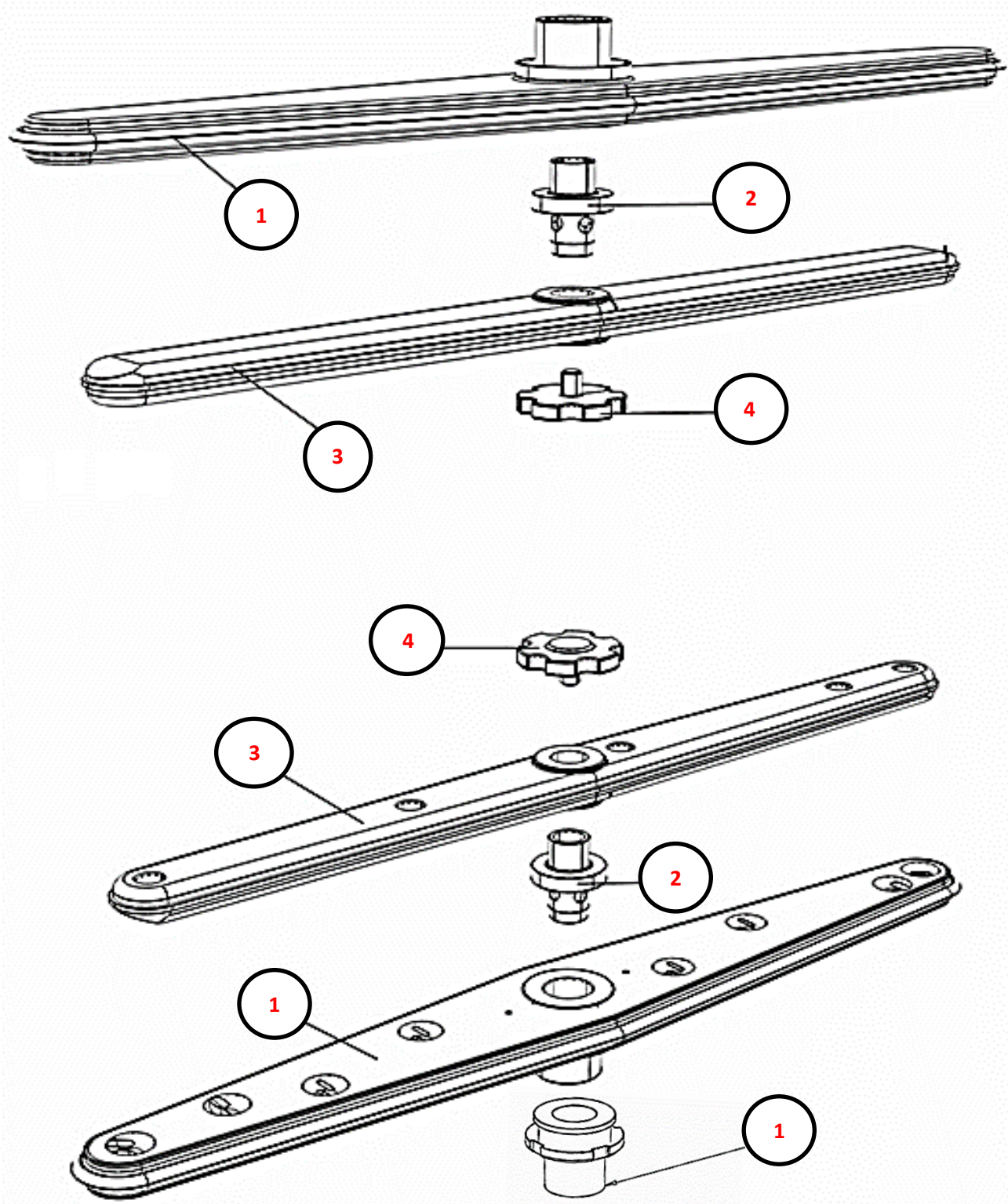


POS	CODE	DESCRIZIONE	DESCRIPTION	NR
1	903743	COLONNA LAVAGGIO E45/N45/N600/N50/N90	WASH COLUMN E45/N45/N600/N50/N90	1
2	903756	TRONCHETTO MAND. N45/N50/N90/N700FH	INLET SOCKET N45/N50/N90/N700FH	2
3	905456	MOZZO LAV. DX	WASH HUB RH	1
4	908141	GUARN. RACC. LAV. N45/N50/N700/N1000	GASKET WASH JUNCTION N45/N50/N700/N1000	2
5	908154	FLANGIA NORYL MOZZO SUP. LAVAPIATTI	FLANGE UPPER HUB - DISHWASHER	1
6	904799	PERNO LAV. SUP. N600/N700/N45/N50	PIVOT UPPER WASH N600/N700/N45/N50	1
7	908734	PERNO LAV. INF. N45/N50/N1000	LOWER-WASH-ARM PIVOT N45/N50/N1000	1
8	NA	NON DISPONIBILE	NOT AVAILABLE	NA
9	907439	TUBO SCARICO Ø19 90° 2000MM PS + CURVA	DRAIN HOSE Ø19 90° 2000MM PS + BLEND	1
10	905388	RACC. INF. LAV. E45/E50/N45/N50/N700/N1000	LOWER RINSE CONNECTION E45/E50/N45/N50/N700/N1000	1
11	905449	MOZZO LAV. SX	WASH HUB LH	1
12	908137	MANICOTTO MANDATA N45/N50/N90	INLET SLEEVE N45/N50/N90	1
13	908136	MANICOTTO ASP. N45/N50/N90	ASPIRATION SLEEVE N45/N50/N90	1
14	902304	POMPA 0.55KW 230/1/50 N45-N50-N90	PUMP 0.55KW 230/1/50 N45-N50-N90	1
15	905236	POZZ. ASPIRAZ. MAGGIORATO ASP. Ø45	INCREASED SUMP Ø45	1
16	905378	GUARN. POZZETTO MAGGIORATO	INCREASED PIT GASKET	1
17	905238	FLANGIA POZZETTO MAGGIORATO ASP./SCAR.	FLANGE ASPIRATION/DRAIN SOAKAWAY	1
21	902363	POMPA SCARICO MAGNETICA 220/240V 50HZ 25W	MAGNETIC DRAIN PUMP 220/240V 50HZ 25W	1
22	907439	TUBO SCARICO Ø19 90° 2000MM PS + CURVA	DRAIN HOSE Ø19 90° 2000MM PS + BLEND	1
23	903691	MANICOTTO POMPA SCARICO N45-N50	DRAIN PUMP SLEEVE N45-N50	1
24	904897	FILTRO SENZA CIL. INOX Ø75MM	FILTER WITHOUT SS BARREL Ø75MM	1
25	906669	FILTRO SUPERF. N45-N50 COMPLETO 2013	SURFACE FILTER N45-N50 COMPLETE 2013	1
26	904898	FILTRO SENZA CILINDRO INOX diam.98 mm	FILTER WITHOUT SS BARREL diam.98 mm	1
27	907445	TUBO SCARICO Ø19 90° 760MM PS	DRAIN HOSE Ø19 90° 760MM PS	1
28	907473	VALVOLA TOP 40 COMPLETA	VALVE TOP 40 COMPLETE	1
29	TR2433	VALVOLA ANTIRITORNO	NON-RETURN VALVE	1

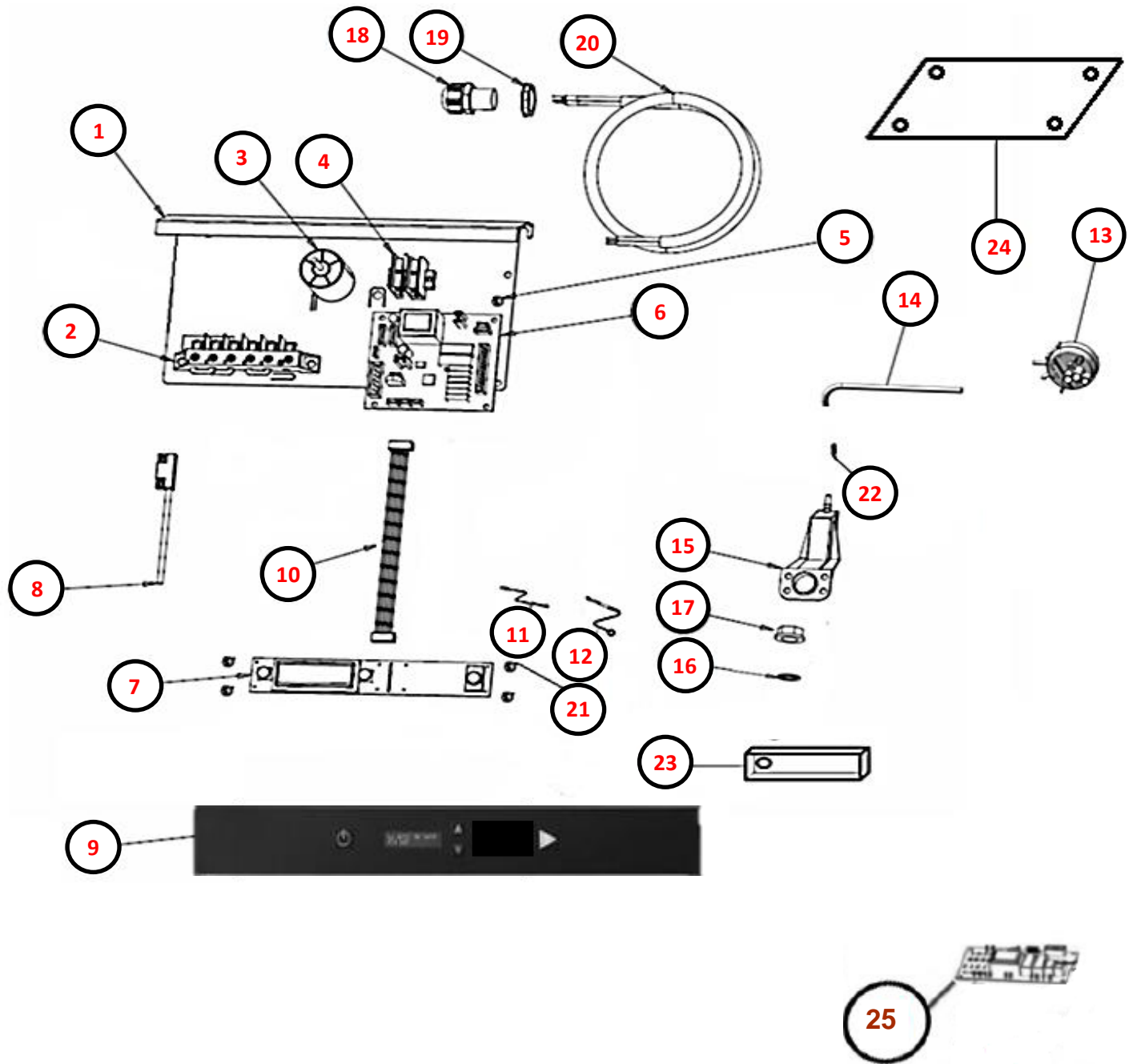


POS	CODE	DESCRIZIONE	DESCRIPTION	NR
1	903107	GIRANTE LAVAGGIO SP.4 CON MOZZO	WASH ARM 4 WITH HUB	2
2	908771	PERNO GIRANTE RISC. PIATTA PPL E INOX	PIVOT FLAT RINSE ARM (POLYPROPYLENE AND STAINLESS STEEL)	2
3	903028	GIRANTE RISC. INOX 4 "2013"	STAINLESS-STEEL RINSE ARM 4 2013	2
4	902880	GHIERA FERMO GIRANTI	STOP FERRULE, ARMS	2

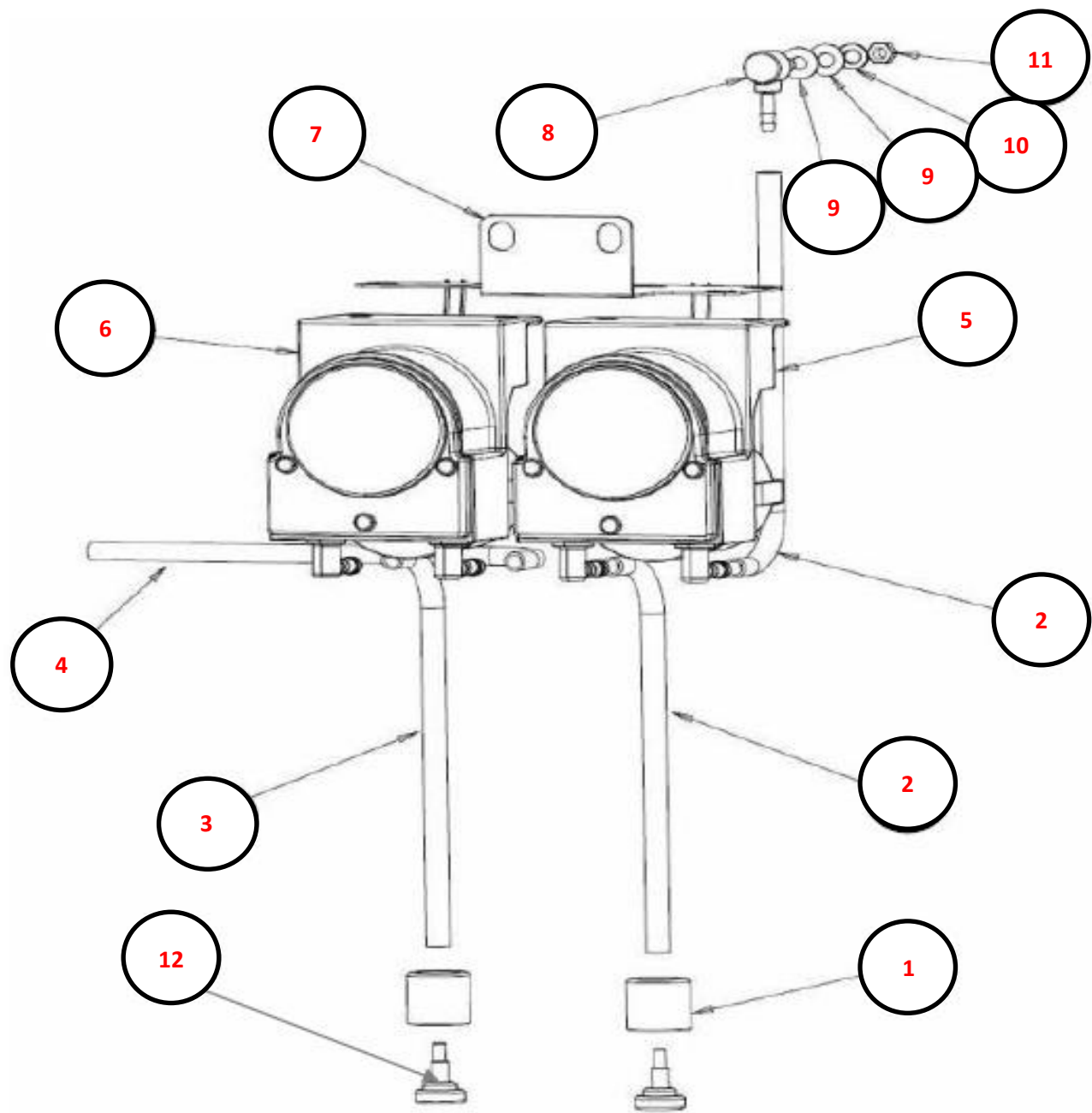




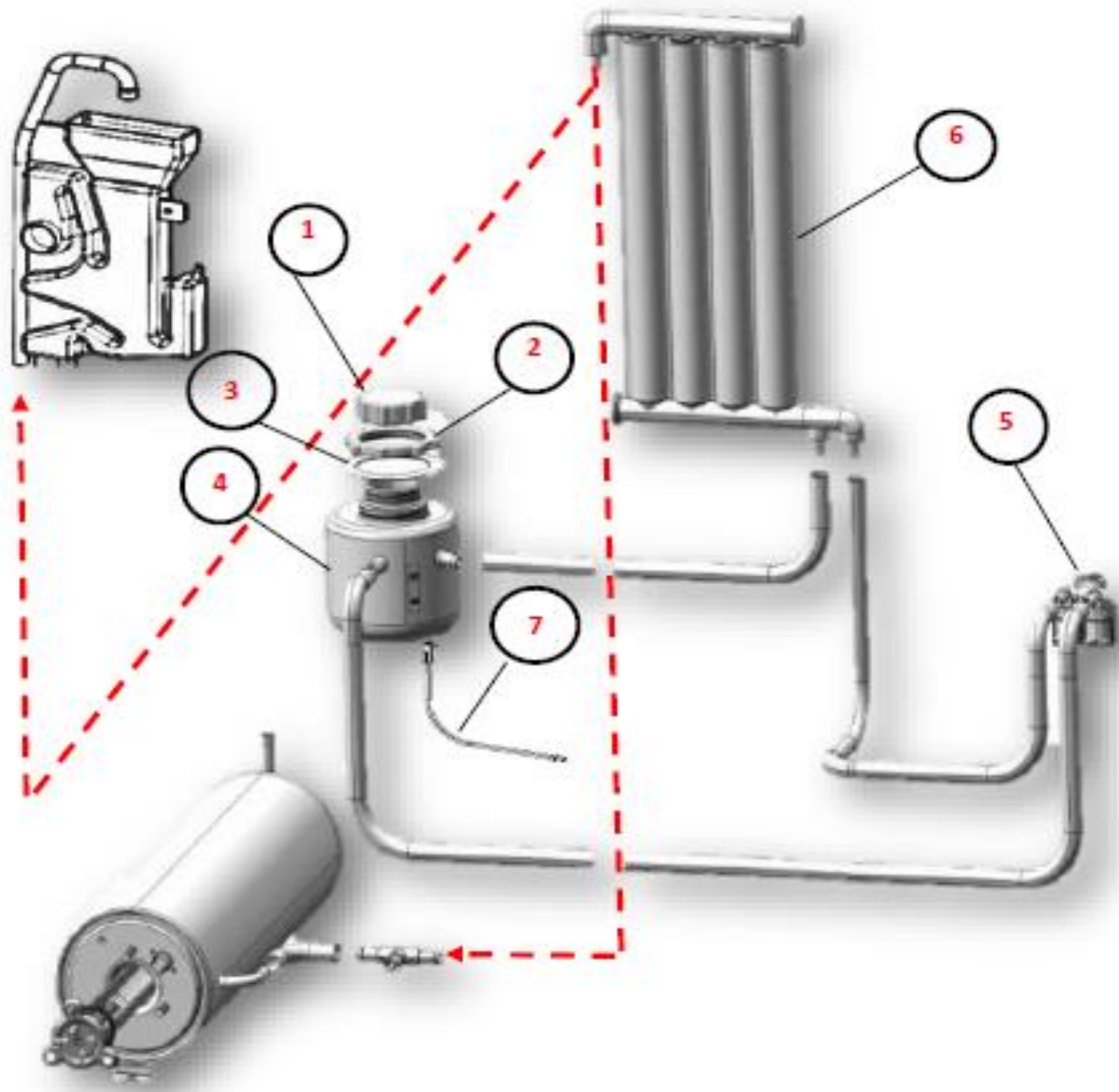
POS	CODE	DESCRIZIONE	DESCRIPTION	NR
1	902142	RETROTARGA N50 EVO3 IMPERIAL	BACK PLATE N50 EVO3 IMPERIAL	1
2	904150	MORSETTIERA 6 POLI N600-N700-E45-E50	TERMINAL BOX 6 POLES N600-N700-E45-E50	1
3	902108	FILTRO ANTIDISTURBO MONOFASE	MONO-PHASED ANTINOISE FILTER	1
4	904162	MORSETTO BIPOLARE CON SPALLA	2-POLE CLAMP WITH BRACKET	1
5	902193	DISTANZIALE TIMER ELETTRONICO	ELECTRONIC TIMER SPACER	4
6	907398	SCHEDA EVO2/3 BASE ELCA 12 RELE	BASE BOARD EVO2/3 12 RELAY	1
7	907401	SCHEDA FRONTALE EVO3 12 RELE	FRONT BOARD EVO3 12 RELAYS	1
8	909290	REED MAGNETICO LAVASTOVIGLIE	MAGNETIC REED WAREWASHER	1
9	901918	TARGA N50S EVO3 ANTRACITE SILANOS	PLATE N50S EVO3 ANTHRACITE SILANOS	1
10	900544	CAVO TELEFONICO SCHEDA EVO2/3 ELCA L=500MM	PHONE CABLE FOR EVO2/3 ELCA BOARD L=500MM	1
11	900541	SONDA NTC A BULBO EVO2/3 ELCA	BULB PROBE NTC EVO2/3 ELCA	1
12	900543	SONDA NTC AD OCCHIELLO EVO 2/3 ELCA	PROBE EYE NTC EVO2/3 ELCA	1
13	905283	PRESSOSTATO 65/10	PRESSURE SWITCH 65/10	1
14	907279	TUBO SILICONE 4X7	SILICONE HOSE 4X7	1
15	907254	TRAPPOLA ARIA N45-N50-N90-N1000-N1300	AIR TRAP N45-N50-N90-N1000-N1300	1
16	906036	GUARN. Ø16 P. SUGHERO	GASKET Ø16 CORK	1
17	902111	GHIERA 3/8" PPL	PLASTIC FERRULE 3/8"	1
18	902683	PRESSACAVO PG16	CABLE GLAD PG16	1
19	902677	GHIERA PRESSACAVO PG16	FERRULE CAGLE GLAND PG16	1
20	908259	CAVO ALIMENTAZ. 3X2.5X3500 H07	POWER-SOURCE CABLE 3X2.5X3500 H07	1
21	909366	DISTANZIALE SCHEDA FRONTALE H=10MM	FRONT BOARD SPACER H=10MM	4
22	902425	FASCETTA BIFILARE A MOLLA 7.8X8.3	TWO-WIRE SPRING CLAMP 7.8X8.3	1
23	900800	GUSCIO ANTIPOLVERE PER SCHEDA FRONTALE EVO2/3 ELCA	DUST SHELL FOR FRONT BOARD EVO2/3 ELCA	1
24	902302	ISOLATORE SCHEDE BASE EVO2 ELCA	BASE BOARD ISOLATOR EVO2 ELCA	1



POS	CODE	DESCRIZIONE	DESCRIPTION	NR
1	906620	PESO TUBETTO DET./BRILL.	WEIGHT RINSE PRODUCT/ETERGENT HOSE	2
2	907278	TUBO CRYSTAL ROSSO 4X7	TRASPARENT-RED HOSE 4X7	2
3	902046	TUBO CRYSTAL TRASP. 4X7	TRASPARENT HOSE 4X7	1
4	907279	TUBO SILICONE 4X7	SILICONE HOSE 4X7	1
5	902053	DOSATORE DETERS. PERIST. SEKO SENZA REG.	PERISTALTIC DETERGENT PUMP WITHOUT REGULATOR	1
6	902095	DOSATORE BRILL. PERIST. SEKO SENZA REG.	PERISTALTIC RINSE-PRODUCT PUMP WITHOUT REGULATOR	1
7	952820	SUPP. DOS. PERISTALTICO DOPPIO	DOUBLE PERISTALTIC DOSING PUMP SUPPORT	1
8	906708	RACC. INOX ENTR. DETERSIVO VASCA ANT.	STAINLESS-STEEL FRONT INLET CONNECTION FOR DETERGENT IN TANK	1
9	903253	GUARN. RACC. DOS/SFIATO PS	GASKET DOSING UNIT/AIR VENT JUNCTION	1
10	906010	RONDELLA Ø5 P.	WASHER Ø5 P.	1
11	902030	DADO ATB 5	NUT ATB 5	1
12	902569	FILTRO DOSATORE	DOSING UNIT FILTER	2







POS	CODE	DESCRIZIONE	DESCRIPTION	NR
1	906542	MOTORE CON STAFFA E POWER FITTINGS	MOTOR WITH BRACKET AND POWER FITTINGS	1
2	906546	GOMITO F/F 1/4" X 3/8"	ELBOW F/F 1/4" X 1/8"	2
3	907971	PRESSOSTATO DI MIN. THINK WATER	MINIMUM PRESSURE SWITCH THINK WATER	1
4	906544	OR 1.78 X 5.28	OR 1.78 X 5.28	1
5	906543	POMPA 400 L/H	PUMP 400 L/H	1
6	906548	DRITTO MASCHIO 10 X 3/8"	MALE CONNECTOR 10 X 3/8"	2
7	903258	GOMITO CODOLO 10 MM	ELBOW SHANK 10 MM	4
8	906547	T INTERMEDIO 10-6 MM	3-WAY CONNECTOR 10-6 MM	1
9	906545	DRITTO FEMMINA 6MM X 1/8"	FEMALE CONNECTOR 6MM X 1/8"	1
10	906551	RIDUZIONE CODOLO 8-4 MM	JUNCTION 8 - 4 MM	1
11	906549	RIDUZIONE 5/32"-1/4"	JUNCTION 5/32"-1/4"	1
12	906564	RIDUZIONE 1/4"- 3/8"	JUNCTION 1/4"- 3/8"	2
13	907961	TUBO 10 X 7 BLU	BLUE HOSE 10 X 7	1
14	907959	TUBETTO BLU 6X4MM PER OSMOSI THINK WATER	BLUE HOSE 6X4MM FOR OSMOSIS	1
15	906550	TUBO 4 X 2.5MM	HOSE 4 X 2.5MM	1
16	906552	TUBO 1/4" ROSSO	RED HOSE 1/4"	1
17	906563	RIDUZIONE 8-10 MM	JUNCTION 8-10 MM	1
18	906562	VALVOLA DI NON RITORNO 8 MM	NON-RETURN VALVE 8 MM	1
19	907960	TUBETTO BLU 8X6MM PER OSMOSI THINK WATER	BLUE HOSE 8X6MM FOR OSMOSIS	1
20	906561	GOMITO CODOLO 8 MM	ELBOW SHANK 8 MM	1
21	903258	GOMITO CODOLO 10 MM	ELBOW SHANK 10 MM	1
22	906560	DRITTO MASCHIO 8X 3/8"	MALE CONNECTOR 8X 3/8"	1
23	902085	DRITTO MASCHIO 10 X 3/8"	STRAIGHT MALE CONNECTOR 10 X 3/8"	1
24	906557	TAPPO POM PER VESSEL	CAP FOR VESSEL	1
25	906556	OR 5.33 X 85.09	OR 5.33 X 85.09	1
26	906555	RICAMBIO MEMBRANA TWG2B	MEMBRANE TWG2B	1
27	906554	DRITTO MASCHIO 1/4" X 3/8"	MALE CONNECTOR 1/4" X 3/8"	1
28	906553	VESSEL INOX 304	STAINLESS STEEL VESSEL AISI 304	1
29	906566	TESTATA PROFINE IN SERIE ATTACCHI 3/4"	PROFINE HEAD IN SERIES 3/4"	1
30	906640	CARTUCCIA PROFINE BLU MEDIUM	PROFINE FILTER CARTRIDGE BLUE MEDIUM	1



